



PT-PR01G-OT

Gigabit Outdoor 60W PoE Surge Protector

Product Overview

PT-PR01G-OT is a single-port PoE surge protector designed for exterior applications with an IP 67 rated Aluminum alloy case. It supports 8 lines network signals and provides surge protection for PoE wires. The maximum common mode surge voltage is 10KV(10/700us) and max differential mode surge voltage is 6KV(10/700us). It supports 10/100/1000Mbps of data rates. It is ideal for PoE wires with IEEE802.3af/at/PoE++ standard and well protects your device against surge damage.

Designed for outdoor use, the PT-PR01G-OT operates from -40°C to +65°C in an IP67 enclosure and works with voltage of 44-57Vdc. Equip port should always be connected to device which you want it to be protected.

Both RJ45 ports connect to network over Cat5e/Cat6 cables which is very conveniently and tightly.

It can be easily installed with 2 mounting holes.



Product Profile

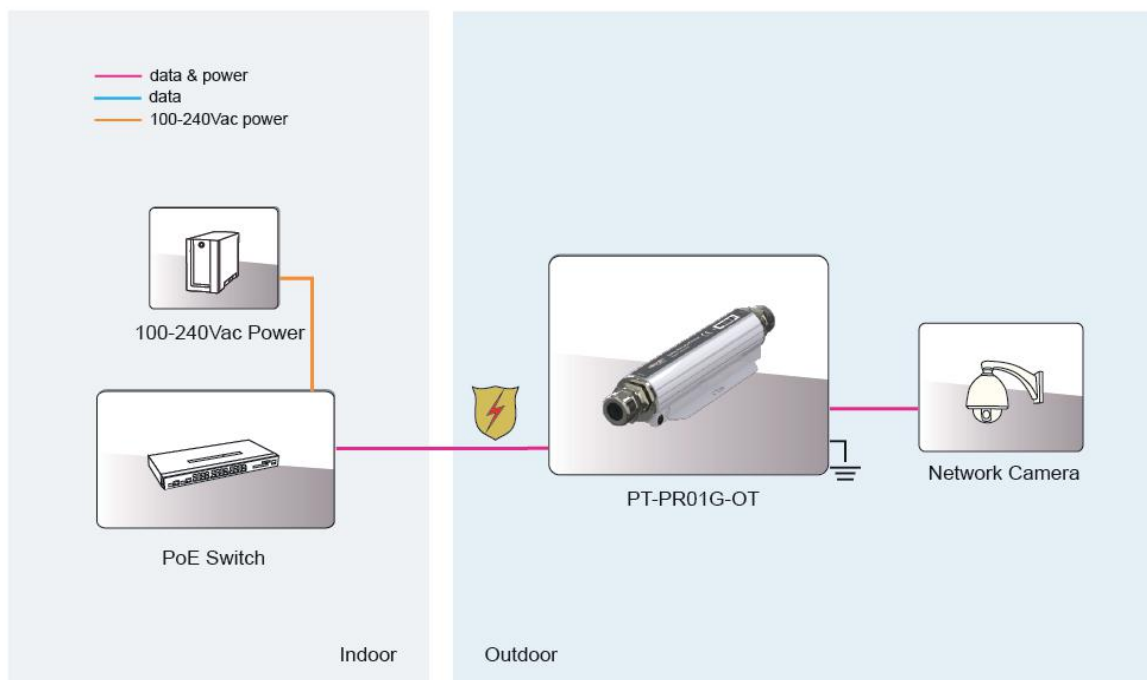


- 1. Equip: Protected equipment connect to Equip Port
- 2. Earth



- 3.4. Mounting Hole
- 5. Line: Lighting Surge Input Port

Product Working Diagram



Specification

Standard

- IEEE802.3 10Base-T Ethernet
- IEEE802.3u 100Base-Tx Fast Ethernet
- IEEE802.3ab 1000Base-T Gigabit Ethernet
- Support PoE wire with IEEE802.3af/at standards
- Support 60W PoE++ standards
- RoHS Compliance
- WEEE Compliance

Input & Output

- Operating Voltage :44-57Vdc, (Max 60Vdc)
- Maximum Operating DC Current :0.68A for 2 pairs,
1.36A for 4 pairs,
maximum 60W
- Power Pins: 4/5(+), 7/8(-) and 3/6(+),1/2(-)
- Data Speed: 10/100/1000Mbps

Working Environment

- Operating Temperature: -40℃ to 65℃
- Operating Humidity: 20% to 80%, non-condensation
- Storage Temperature: -40℃ to 85℃
- Storage Humidity: 10% to 95%, non-condensation
- Operating Altitude: up to 5000meters

PoE Surge Protection

- Max Discharge Current: 20KA(8/20us,2.5KA per line)
- Protected Line: 1,2,3,4,5,6,7,8
- Common Mode Protection Level(10/700us): 10KV
- Differential Mode Protection Level(10/700us): 6KV
- Clamping Voltage(Line to GND): 300V
- Clamping Voltage(Line to Line): 10V
- Insertion Loss @10MHz/100MHz: -1db
- Return Loss @10MHz/100MHz: -20db
- Response Time: 5ns

Mechanical Characteristics

- Case: Aluminium alloy
- Color: White
- Mounting: Wall-mounted
- IP Rated: IP67
- Size: 209mm X 53mm X 37.5mm
- Weight: 380g

Safety Approvals

- CE

EMI

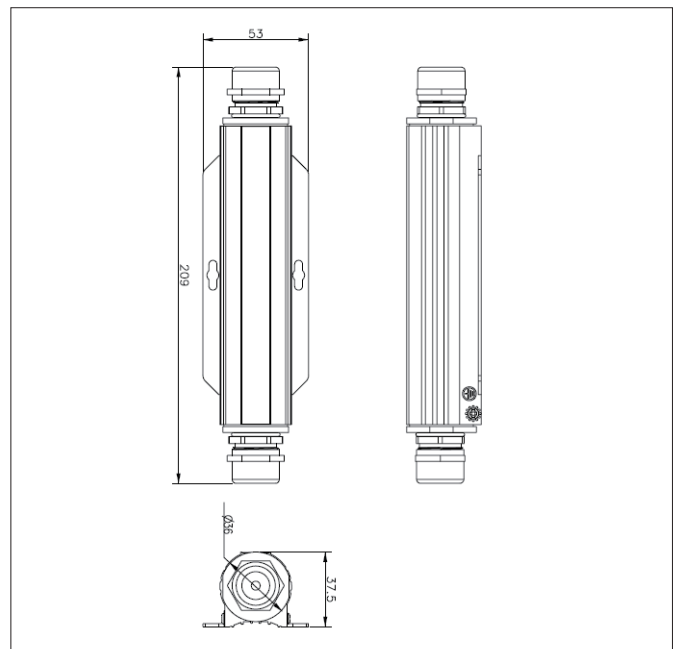
- FCC CFR47 Part 15, EN55024, EN55032

EMS

- IEC61000-4-2(ESD) ± 6kV(contact), ±8kV(air)
- IEC61000-4-3(RS) 10V/m(80MHz~2GHz)
- IEC61000-4-4(EFT) Power Port: ±2kV; Data Port:±1kV
- IEC61000-4-5(Surge) Power Port:±1kV/DM, ±2kV/CM
- IEC61000-4-6(CS) 10V(150kHz~80MHz)

Immunity

- IEC60068-2-6(Vibration)
- IEC60068-2-27(Impact)
- IEC60068-2-32(Free Fall)



Order Info. PT-PR01G-OT 44-57Vdc(Max 60Vdc)/100W/1000Mbps/10KV Surge Protection/IP67/outdoor use

Packing PT-PR01G-OT
Ground lug Wire: 16AWG
Manual x 1